



# SMALL LED/LCD

Hantarex International Limited  
34 Salisbury Street  
London, NW8 8QE  
Tel: 0044 (0) 208 778 1414  
e-Mail: [sales@hantarex.com](mailto:sales@hantarex.com)

## DSM10.4LED-WGF

10.4" LED Monitor Metal Case/Glass Fronted

### DSM10.4LED-WGF

Panel Type	10.4" (4:3) LED Monitor with G lass Front
Case Type	Metal
Maximum Resolution	800 (H) x 600 (V)
Active Display Area	211.2 x 158.4 (V) mm
Pixel Pitch	0.264 (H) x 0.264 (V) m m
Bezel Thickness	27.9 mm
Contrast Ratio	500 : 1 Ratio
Brightness	250 cd/ m <sup>2</sup>
Response Time	30 ms
Viewing Angle	U/D: 50° / 60°, L/R: 75° / 75°
Display Colours	16.7 M
Video Synchronization	Yes
PC Compatible Frequency	30-80KHz(H) / 50-75Hz(V) Max. 800 x 600
Video Compatibility	Multi-Standard for NTSC / PAL
Aspect Ratio	4 : 3 Ratio
VGA Auto Frequency correction	Yes
Speaker	No
Number of Speakers	N/A
Sound Demodulation	N/A
Mute	N/A
Work Humidity	20 % - 70 %
Work Temperature	- 10 to 50 °C
Volume +/- Power On/Off	Power ON/OFF Only



### POWER

Power Supply	12VDC, 1amp
Voltage	AC100 - 240V 50 / 60Hz
Power Consumption	< 12W in "ON"

### IN/OUT INTERFACE

Video Interface	VGA In BNC In x 1, BNC Out x 1
Audio Interface	N/A
Power Interface	AC In x 1
Termination	75 Ohms (Automatic termination)
Safety & EMC Certification	ROHS-2, CE, FCC, C-Tick, E13, WEEE
Vesa Standard Mount	75 x 75 mm
Stand Type	Desktop
Colour	Black
Button Position	Right Hand side
Packing Dimension	380 (W) x 340 (H) x 110 (D) mm
NET Weight	1.7 Kg
GROSS Weight	2.4 Kg

### OSD CONTROLS

Contrast, Brightness, Language, Rotation L/R & Up/Down.

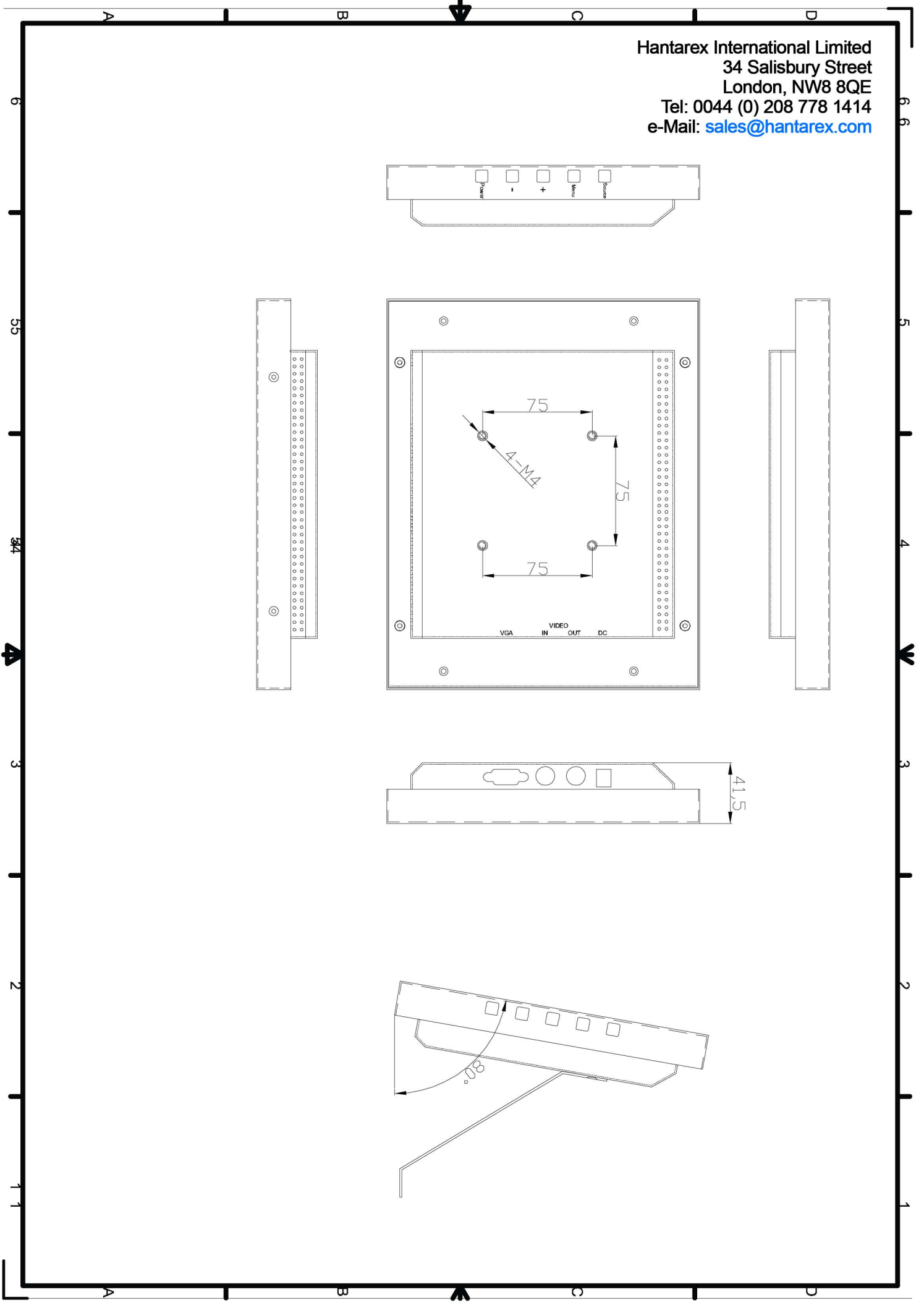
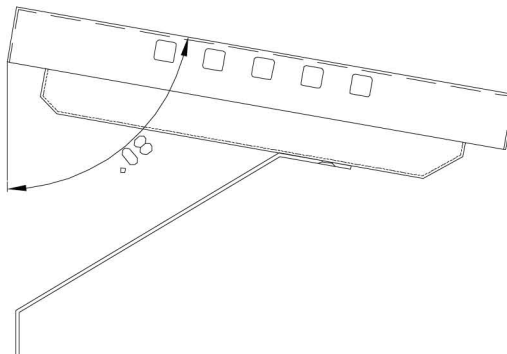
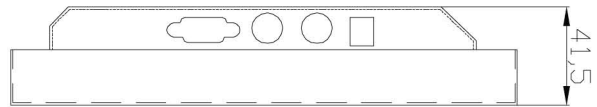
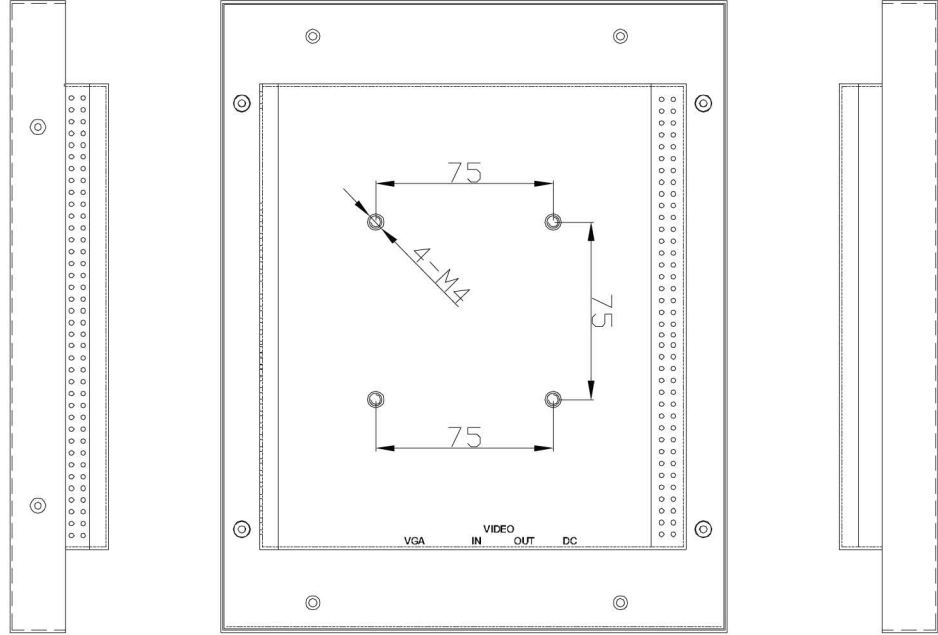
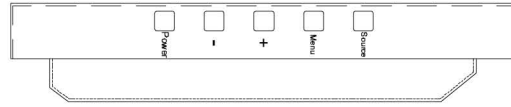
### OSD LANGUAGE

English, French, German, Spanish, Italian, Russian, Polish and Portuguese

### ACCESSORIES

Power Supply, VGA Cable, User Manual

Hantarex International Limited  
34 Salisbury Street  
London, NW8 8QE  
Tel: 0044 (0) 208 778 1414  
e-Mail: [sales@hantarex.com](mailto:sales@hantarex.com)



Hantarex International Limited  
34 Salisbury Street  
London, NW8 8QE  
Tel: 0044 (0) 208 778 1414  
e-Mail: [sales@hantarex.com](mailto:sales@hantarex.com)

